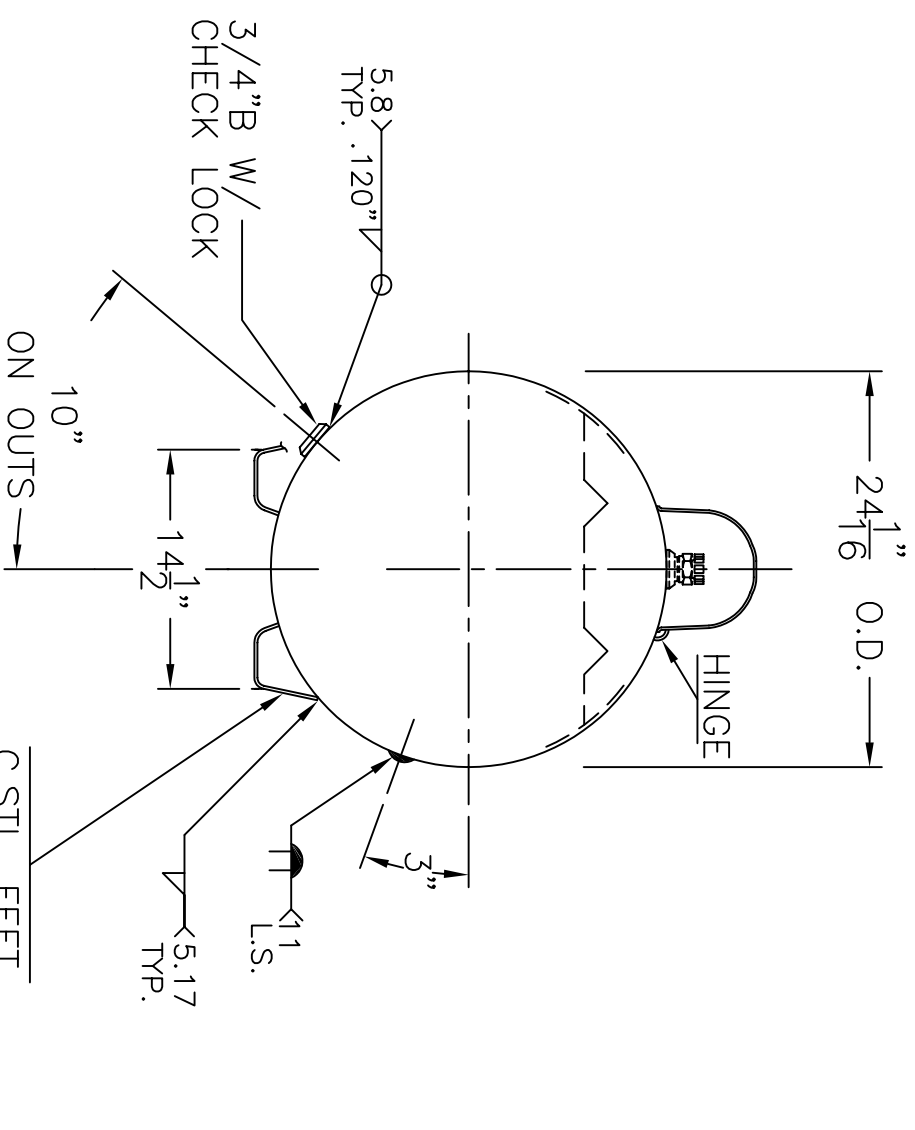
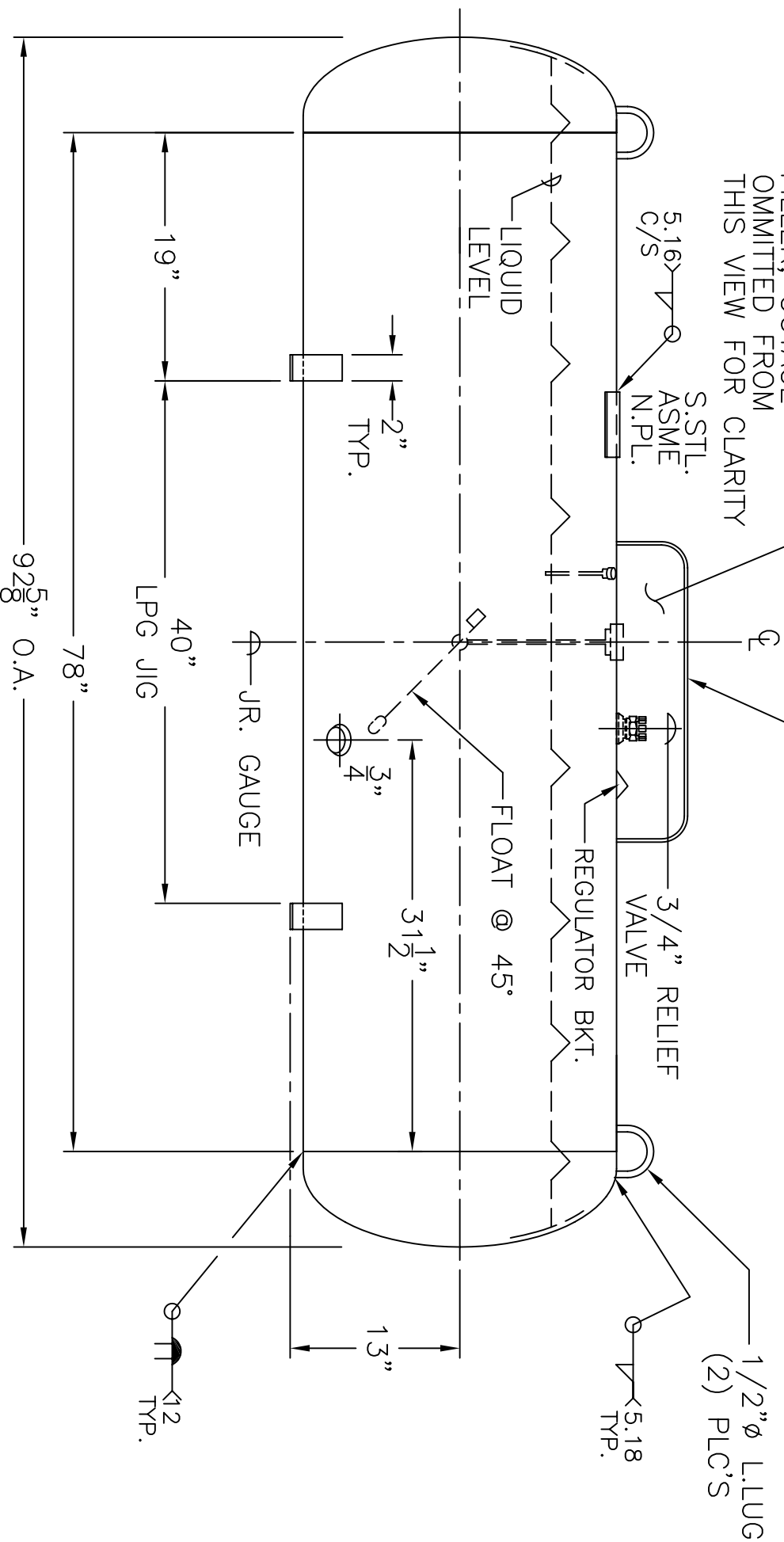


NOTE: P.O.L. 9101R1  
 FILLER, OUTGAGE  
 OMITTED FROM  
 THIS VIEW FOR CLARITY

LAYOUT DIMENTIONS PER:  
 UNIVERSAL-----□ = SK-2617 REV. II  
 CALIFORNIA STD.-□ = PA-432-A  
 NEVADA-----□ = PA-433-A



C.STL. FEET  
 1/4" x 2" x 8" BAR  
 PER: PA-831-B  
 W/3/4" x 2" SLOT

GENERAL NOTES

- |   |                                |                          |
|---|--------------------------------|--------------------------|
| 1. SHELL: .166" SA-414-G                | 7. M.A.W.P. 250 PSIG. @ 200 °F | 13. C.F.M. REQ'D. 1345.9 |
| 2. HEADS: .164" SA-414-G 2:1 S.E.       | M.D.M.T. -20 °F @ 250 PSIG.    | 14. OUTSIDE: WHITE       |
| 3. X-RAY: RT-4 SPOT L.S.                | 8. HYDRO: 327 PSIG. MIN.       |                          |
| 4. STRESS REL., NO                      | 9. GAL: 172                    |                          |
| 5. CORR. ALLOW: NONE                    | 10. EMPTY WT: 371# APPROX.     |                          |
| 6. ASME SEC. VIII DIV. 1, 2007 ADD 2009 | 11. DEHYDRATE INSIDE           |                          |
|   | 12. SURFACE AREA: 50.9 SQ. FT. |                          |

<b>P-172</b>	REV. 12-28-09
	DATE: 3-11-87

FOR: HANSON STANDARD  
 HORIZ. PROPANE TANK

BY: J.G. SCALE: 1"=12"

**ROY E. HANSON JR. MFG.**  
 1600 E. WASHINGTON BLVD.  
 LOS ANGELES, CA 90021